

- NOTES:
- MATERIAL:
    - HOUSING: PA9T (KURARU GN2330), UL94 V-0; COLOR: BLACK
    - DUMMY CARD: LCP (E488i)
    - CONTACT: PHOSPHOR BRONZE, C5191-H t=0.25mm.
  - FINISH:
    - CONTACT: SELECTIVE GOLD PLATING ON CONTACT AREA. 100u" MIN. MATTE-TIN PLATING ON SOLDER TAIL AREA. 50u" MIN. NICKEL UNDERPLATING OVERALL.
  - "Ⓢ" IS MAJOR DIMENSION FOR QC
  - "Ⓢ" SHOWS FAI MEASUREMENT ITEMS.
  - PRODUCT SPEC: PS-3GIO-01
  - PACKAGING SPEC: 318304001
  - Contact Plating: 30u" Gold

8. PART NO.  
**SM C06 3157 XXX**  
 H PCI EXPRESS Series No.

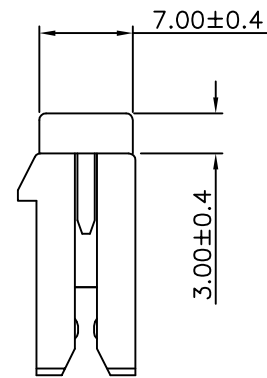
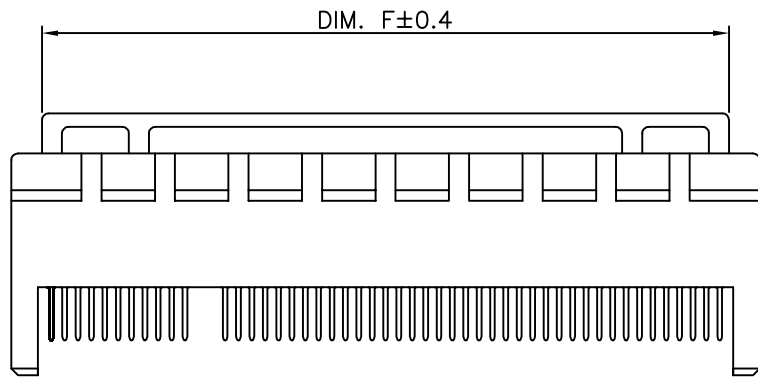
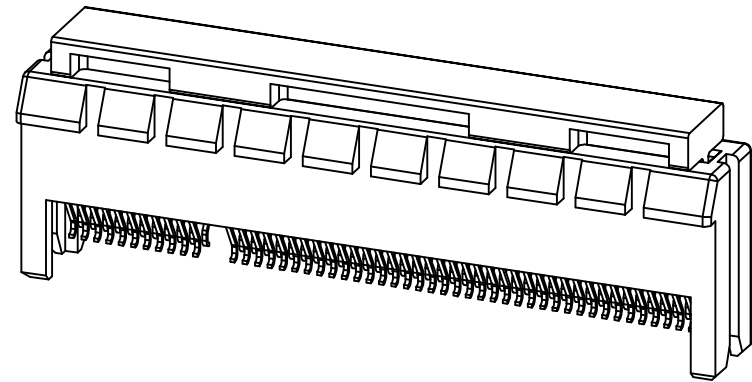
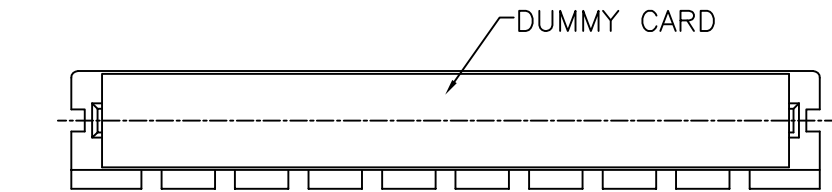
No. of Pins
036
064
098
164

Packing : Tray With Dummy Card

DIMENSIONS				
POSITION	A ±0.20	B +0.15/-0.05	C ±0.15	D +0.00/-0.15
36	25.00	7.65	6	2
64	39.00	21.65	20	37
98	56.00	38.65	37	54
164	89.00	71.65	70	87

				TOLERANCE			
				LINEAR	ANGLES		
				X±0.30	X'±		
				.X±0.20	.X'±	APPD: Jason	MAT'L:
0		Terry	Jun,27,2012	.XX±0.15	.XX'±	CHKD: Schumi	FINISH:
REV	ECN NO.	NAME	DATE	.XXX±0.08	.XXX'±	DRWN: Terry	Q'TY:

TITLE: PCI EXPRESS CARD EDGE CONNECTOR STRADDLE MOUNT TYPE			
PART NO. SM C06 3157 XXX			
DWG NO. SM C06 3157 XXX			
		UNITS: MM	SCALE: 1 : 1
		SHEET: 1 OF 2	REV: 0



8.1	20.4
64	34.4
98	51.4
164	84.4
POSITION	DIM F

ASSEMBLY WITH CAP CONDITION

REV	SEE SHEET 1	NAME	DATE
REV	ECN NO.	NAME	DATE

TOLERANCE	
LINEAR	ANGLES
X.±0.30	X'±
.X±0.20	.X'±
.XX±0.15	.XX'±
.XXX±0.08	.XXX'±

APPD:	Jason	MAT'L:	
CHKD:	Schumi	FINISH:	
DRWN:	Terry	Q'TY:	

TITLE: PCI EXPRESS CARD EDGE CONNECTOR STRADDLE MOUNT TYPE			
PART NO.		SM C06 3157 XXX	
DWG NO.		SM C06 3157 XXX	
	UNITS	SCALE	SHEET
	MM	1 : 1	2 OF 2
		REV	0